



NOTICE: To comply with FCC and/or Industry Canada rules (IC), adjustment or modifications of this receiver and/or transmitter are prohibited, except for changing the code setting or replacing the battery. THERE ARE NO OTHER USER SERVICEABLE PARTS.

Tested to Comply with FCC Standards FOR HOME OR OFFICE USE. Operation is subject to the following two conditions: (1) this device may not cause harmful interference, and (2) this device must accept any interference received, including interference that may cause undesired operation.

NOTE: The Passport transmitter works with all Chamberlain 315 MHz Security+® rolling code garage door openers and accessories.

NOTE: When using the Passport transmitter with an access system or gated entry, contact property manager for instructions on use.

NOTE: If programming a HomeLink® transmitter for an access system is required, contact property manager.

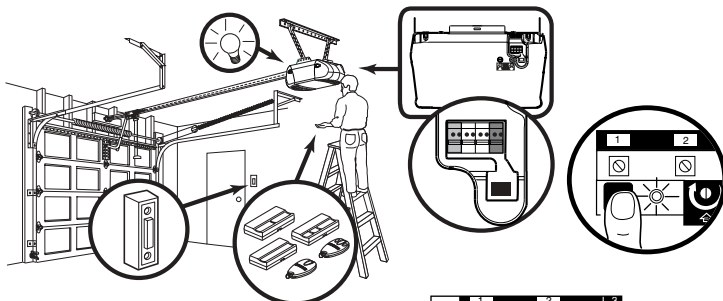
⚠ WARNING

To prevent possible **SERIOUS INJURY** or **DEATH** from a moving gate or garage door:

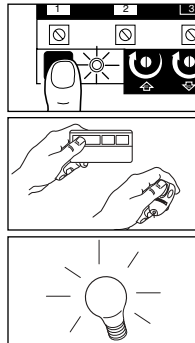
- ALWAYS keep remote controls out of reach of children. NEVER permit children to operate, or play with remote control transmitters.
- Activate gate or door ONLY when it can be seen clearly, is properly adjusted, and there are no obstructions to door travel.
- ALWAYS keep gate or garage door in sight until completely closed. NEVER permit anyone to cross path of moving gate or door.

PROGRAMMING

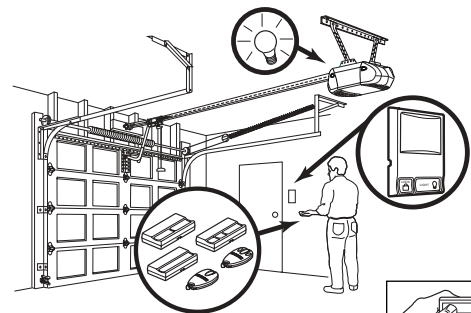
USING THE "LEARN" BUTTON



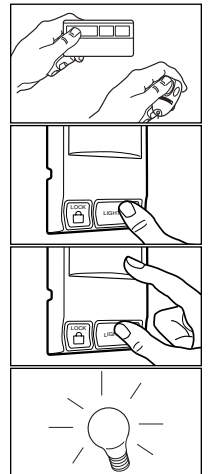
1. Press and release the "learn" button on the motor unit. The learn indicator light will glow steadily for 30 seconds.
2. Within 30 seconds, press and hold the button on the hand-held remote that you wish to operate your garage door.
3. Release the button when the motor unit lights blink. It has learned the code. If light bulbs are not installed, two clicks will be heard.



USING THE MULTI-FUNCTION DOOR CONTROL



1. Press and hold the button on the hand-held remote that you wish to operate your garage door.
2. While holding the remote button, press and hold the LIGHT button on the Multi-Function Door Control.
3. Continue holding both buttons while you press the push bar on the Multi-Function Door Control (all three buttons are held).
4. Release buttons when the motor unit lights blink. It has learned the code. If light bulbs are not installed, two clicks will be heard.



The Remote Control Batteries

⚠ WARNING

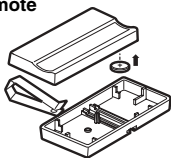
To prevent possible **SERIOUS INJURY** or **DEATH**:

- NEVER allow small children near batteries.
- If battery is swallowed, immediately notify doctor.

The lithium batteries should produce power for up to 5 years. To replace, pry open case with visor clip or screwdriver, as shown below. Insert batteries *positive side up (+)*.

Dispose of old batteries properly.

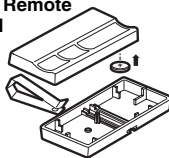
CPT13 One Button Remote Control



CPT23 Two Button Remote Control



CPT33 Three Button Remote Control



CPT43 Four Button Remote Control



CPTK13 & CPTK13PH One Button Remote Control



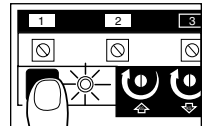
CPTK33 & CPTK33PH Three Button Remote Control



To Erase All Codes From Motor Unit Memory

To deactivate any unwanted remote, first erase all codes:

Press and hold the "learn" button on motor unit until the learn indicator light goes out (approximately 6 seconds). All previous codes are now erased. Reprogram each remote or keyless entry you wish to use.



NOTE: Any button can be used with a garage door opener and/or access control system. However, the property manager may have restrictions on which buttons can be used when operating the gate entrance or access system.

